

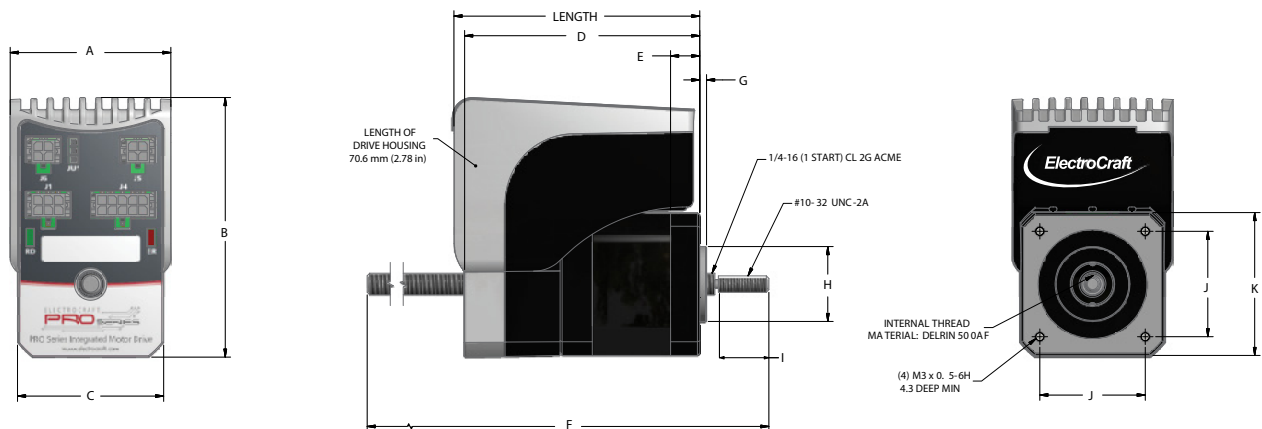
Compact. Programmable.

The ElectroCraft integrated motor drive stepper linear actuator is a leap forward in actuator technology. This is linear motion in its most compact form, enabling users to reduce installation costs and machine footprint by installing simpler control and cabling architectures. The integrated PRO Series drive makes the PS42 highly configurable, incorporating the full range of sequence control, I/O and communications options. The PS42 is available with a range of 1/4 inch standard threads, providing resolutions of up to .00031 in (.00787 mm) in full step open-loop mode with a 200 PPR stepper motor with even higher resolutions available in micro-stepping and closed-loop position control mode. Other thread options are available on request. Versions with ballscrews and special material parts are available for custom application-specific designs.



PS42 Integrated Motor Drive Controller	
Size	4mm or Nema 17, 1.8°
Holding Torque	to 44 Ncm (62 oz-in)
Speed	to 35 RPS (2100 RPM)

Model	Units	Length	A	B	C	D	E	F	G	H	I	J	K
PS42-A44	mm	72.27	47.24	76.3	1.69	69.12	8.6	152.4±0.8	2.0	21.97-22	12.75	31.0	42.01
	inch	2.85	1.86	3.0	42.96	2.72	0.34	6.0±0.03	0.08	0.865-0	0.5	1.22	1.65



PS42 Model Number

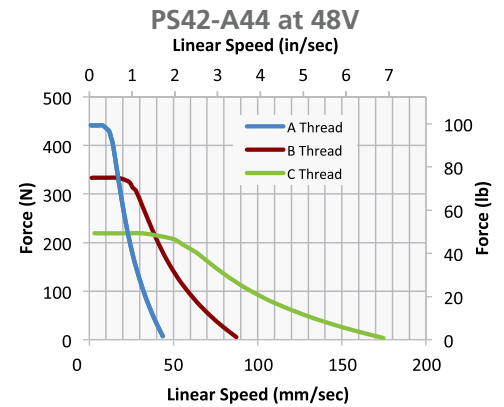
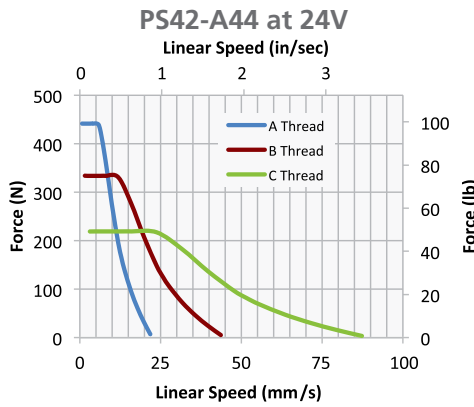
1 - Motor Type

2 - Torque

3 - Voltage

4 - Features

P	S	4	2	-	A	4	4	V	4	8	A	0	A	B	4	-	X	-	CAN
Product Name	Frame Size	Drive Type	Holding Torque (Ncm)		Voltage (Volts)	Drive Version	Product Thread	Screw Length	End Mod	Feedback	Network								

PS42 - Performance**PS42 Mechanical Data****PS42 Stack Size Mode/s**

Stack Size Models	PS42-A44
Holding Torque (oz-in)	62
Holding Torque (Ncm)	43.78
Length (inches)	2.85
Length (mm)	72.39
Rotor Inertia (oz-in-sec ²)	0.0009
Rotor Inertia (kg-cm ²)	0.0636
Phase Resistance $\pm 10\%$ (Ohms)	1.3
Phase Inductance $\pm 10\%$ (mH)	2.3
Weight (oz)	16.6
Weight (Kg)	0.5

Power Inputs	
Motor Supply Voltage (VDC)	12-48
Logic Supply Voltage (VDC)	9-36
Control Inputs	
AUX Analog Input (x1)	12-BIT, 0 - 5V
Digital inputs (x5) Enable, 2 Limit Switches, Plus 2 General Purpose	5 - 36V, NPN
Control Outputs	
Digital outputs (x2) Status, Plus 1 General Purpose	5 - 36V, 0.5A, NPN open Collector
Operation Modes	
Operation Mode	Single axis motion controller, Intelligent slave executing I/O triggered motion sequences, Multi-axis, distributed motion solution, Intelligent slave executing network (RS232 or CAN) triggered motion sequences
Communications	
Serial	RS232
CAN	CAN-bus 2.0
Environmental	
Operating Temperature (°C)	0 - +40
Storage Temperature (°C)	-40 - +80
Humidity Range Not Condensing (% Rh)	90
Protections	
Hardware protections	Short circuit - Phase to GND Short circuit - Phase to Phase Over-voltage Under-voltage I^2t
Regulatory Compliance	
CE	IEC60529
UL	UL508

**Your Genius. Our Drive.**

ElectroCraft, Inc.
250 McCormick Road,
Gallipolis, Ohio 45631

Tel: (844) 338-8114
Fax: (812) 385-3013

Email: sales@electrocrafter.com
www.electrocrafter.com